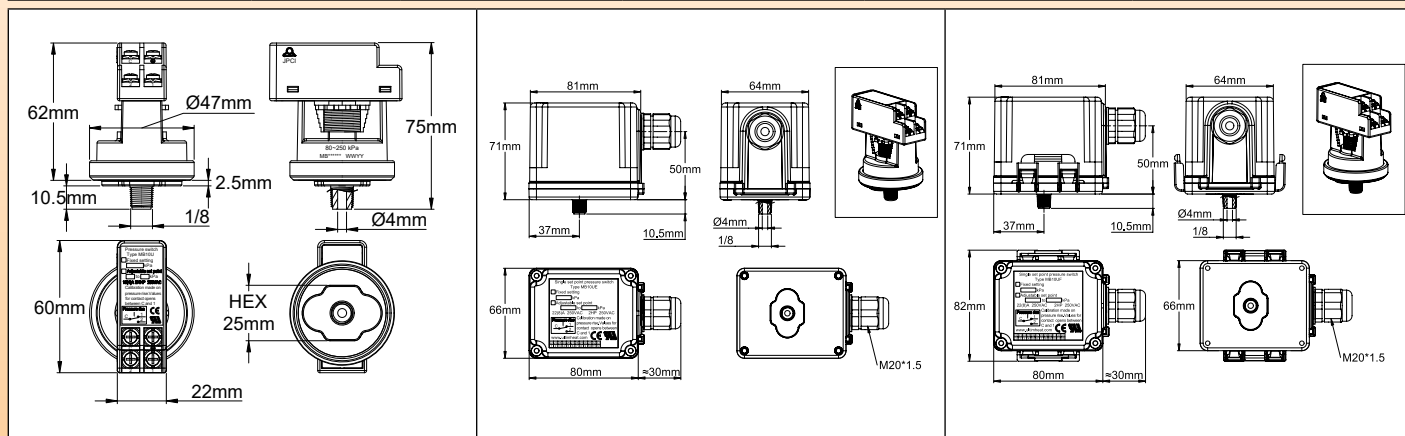




Adjustable set point positive pressure switches

Snap action contact pressure switches, field adjustable, 1/8" fitting, SPDT contact, with or without IP65 enclosure

Fitting	Pressure	Contact	Minimum set point adjustment	Maximum set point adjustment	Type
PA66, 1/8" BSPT or 1/8" NPT	Positive	SPDT	5 kPa (50 mbar, 0.7 PSI)	5 bar (0.5 Mpa, 72.5 PSI)	MB



Without enclosure

With enclosure (4 screws lid)

With enclosure (Snap-on lid)

Main applications :

Pressure sensing on water heaters, boilers, spas and swimming pool heaters and filters, sprinklers circuits, electrical appliances. Its high electrical rating allows its use on pumps, motors, electrical heaters. **Their screw terminals allow field mounting and wiring.**

Technical features :

Membrane: Silicone, dia 45 mm.

Fluid: water or air

Fitting: PA66, 1/8" NPT or BSPT

Enclosure: They can be supplied without enclosure or with black PA66 enclosure, IP65 with one M20 cable gland output, 4 screws lid; or with snap-on lid.

Pressure: Positive

Contact: SPDT, snap action.

Electrical rating: 22 (8)A 250VAC

Action: Momentary.

Set point calibration: Field adjustable with knob

Standard adjustment ranges (mbar): 100 to 200 ; 150 to 350 ; 300 to 800 ; 600 to 5000.

These devices can also be factory calibrated upon customer request.

Electrical connection: Screw terminals

Maximum adjustment pressure: 5 bar (0.5 Mpa, 72.5 PSI).

Bursting pressure: > 25bar (2.5Mpa, 362PSI)

Ambient temperature limits:

Air: -10 to 85°C (14 to 185°F)

Water: 0 to 85°C (32 to 185°F)

Because of permanent improvement of our products, drawings, descriptions, features used on these data sheets are for guidance only and can be modified without prior advice



Adjustable set point positive pressure switches

Main parts numbers with 22 (8)A 250VAC switch, **without enclosure**

Pressure inlet	Set point adjustment range			
	10 to 20 kPa (100 to 200 mbar, 1.5 to 2.9 PSI)	15 to 35 kPa (150 to 350 mbar, 2.2 to 5.1 PSI)	30 to 80 kPa (300 to 800 mbar, 4.4 to 11.6 PSI)	60 to 500 kPa (600 to 5000 mbar, 8.7 to 72.5 PSI)
1/8" NPT	MB10U845HP400100	MB10U845HP400350	MB10U845HP400800	MB10U845HP405000
1/8" BSPT	MB10U845LP400100	MB10U845LP400350	MB10U845LP400800	MB10U845LP405000

Main parts numbers with 22 (8)A 250VAC switch, **with enclosure and 4 screws lid**

Pressure inlet	Set point adjustment range			
	10 to 20 kPa (100 to 200 mbar, 1.5 to 2.9 PSI)	15 to 35 kPa (150 to 350 mbar, 2.2 to 5.1 PSI)	30 to 80 kPa (300 to 800 mbar, 4.4 to 11.6 PSI)	60 to 500 kPa (600 to 5000 mbar, 8.7 to 72.5 PSI)
1/8" NPT	MB10U845HP40010A	MB10U845HP40035A	MB10U845HP40080A	MB10U845HP40500A
1/8" BSPT	MB10U845LP40010A	MB10U845LP40035A	MB10U845LP40080A	MB10U845LP40500A

Main parts numbers with 22 (8)A 250VAC switch, **with enclosure and snap-on lid**

Pressure inlet	Set point adjustment range			
	10 to 20 kPa (100 to 200 mbar, 1.5 to 2.9 PSI)	15 to 35 kPa (150 to 350 mbar, 2.2 to 5.1 PSI)	30 to 80 kPa (300 to 800 mbar, 4.4 to 11.6 PSI)	60 to 500 kPa (600 to 5000 mbar, 8.7 to 72.5 PSI)
1/8" NPT	MB10U845HP40010B	MB10U845HP40035B	MB10U845HP40080B	MB10U845HP40500B
1/8" BSPT	MB10U845LP40010B	MB10U845LP40035B	MB10U845LP40080B	MB10U845LP40500B

Because of permanent improvement of our products, drawings, descriptions, features used on these data sheets are for guidance only and can be modified without prior advice